

ELTEX weft sensor E2016

with logic current output



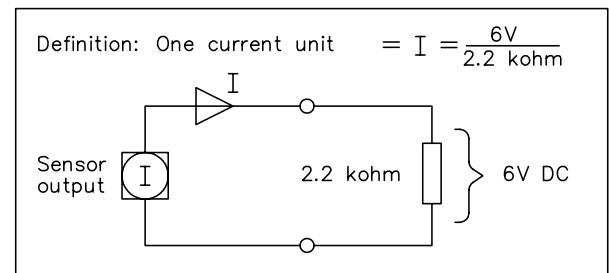
General description

The E2016 weft break sensor is working on the piezoelectric principle. The weft movement is transferred into an electric signal, which is amplified and evaluated within the sensor. The weft

sensor has a logic current output and is manufactured with 1, 2, 4, 6 and 8 eyelets. A green light emitting diode indicates when a weft is moving.

Function and description

Eyelet diameter	7 mm
Power supply	24 V DC (16–28 V DC)
Current consumption	30 mA



Sensitivity setting through a DC voltage 0–6.5 V, normally from the central control unit. Some models have a potentiometer for the sensitivity setting.

The movement of the weft is best detected if the weft angle is 10–15° through the eyelet.

Output: The weft sensor will send one current

unit as output if a weft is moving in one of the eyelets. The E2016 weft sensor will give the same output signal regardless if more than one weft is moving.

For monitoring more wefts, it is possible to connect two or more weft sensors of this type in parallel to one central control unit.



Box 608 • SE-343 24 ELMHULT • Sweden • Tel. +46 476 488 00 • Fax +46 476 134 00
E-mail: public@eltex.se • Web: www.eltex.se

ELTEX U.S. INC.
P.O. Box 868
Greer, S C 29652-0868
USA
Tel: 864-879-2131
In U.S. toll free
1-800-421-1156
Fax: 864-879-3734
Email: sales@eltexus.com

ELTEX (U.K.) LTD
Lane Close Mills/Bartle Lane
Great Horton
Bradford BD7 4QQ
England
Tel: 01274-57 10 71
Fax: 01274-50 12 09
Email: general@eltex.co.uk

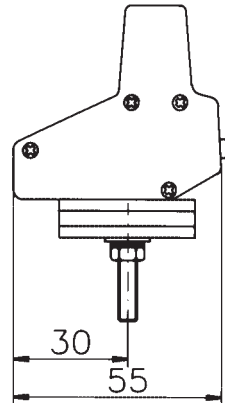
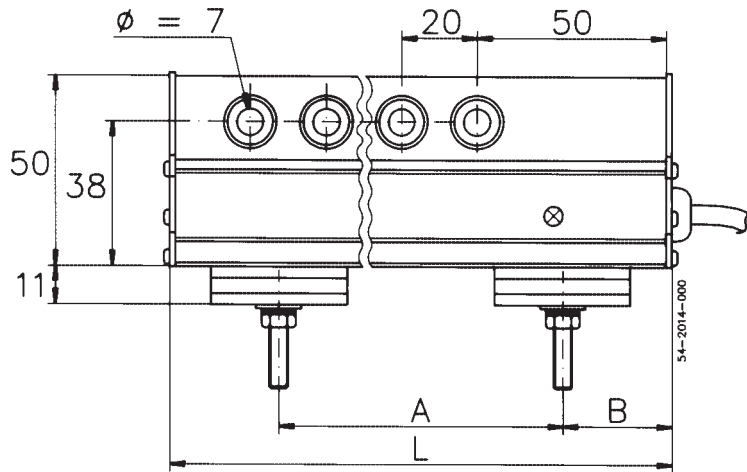
ELTEX MFG LTD
Railway Road
Templemore, Co. Tipperary
Ireland
Tel: 504-314 33
Fax: 504-310 02
Email: public@eltex.ie

ELTEX OF SWEDEN GMBH
c/o Frank Widmann e.K.
Murgstrasse 13
DE-76337 WALDBRONN
Germany
Tel: 07243-767268
Fax: 07243-61216
Email: a.f.widmann@t-online.de

POLSA-ELTEX S.L.
Zamora, 103 - entlo 3
ES-08018 Barcelona
Spain
Tel: 093-309 00 17
Fax: 093-309 59 45
Email: polsa@infonegocios.com

Measures (mm)

Number of eyelets Dimensions, mm

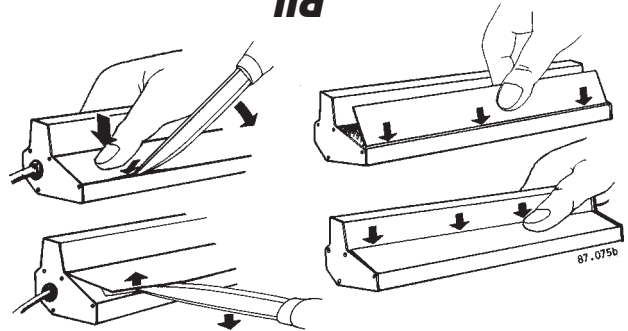


n	L	A	B
1	93	50	21,5
2	93	50	21,5
4	133	75	29
6	173	75	49
8	213	130	41,5

Connection

+ 24 V	1	Red	6
Signal	2	Grey	1
Gain	3	Blue	5
⊥	4	Black	9

How to open and close the lid



Types and article numbers

