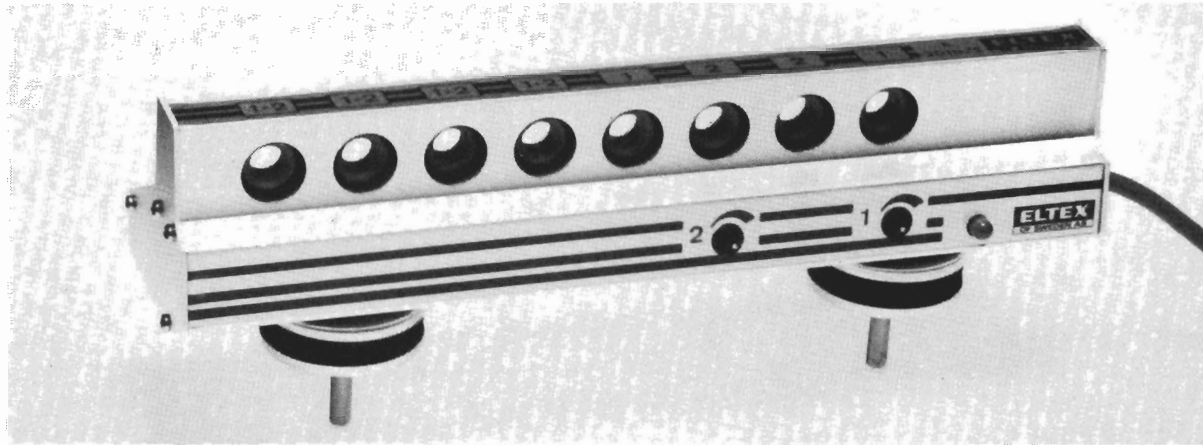


ELTEX signal giver E2010/2 with logic current output



General description

The E2010/2 signal giver is working on the piezoelectrical principle. The yarn movement is transferred into an electric signal, which is amplified and evaluated within the signal giver. The signal giver has a logic current output and is manufactured with 8 eyelets.

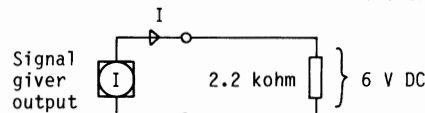
A green light emitting diode indicates when a yarn is moving.

This signal giver is suitable to monitor single or double and also mixed single and double weft insertions.

Function and description

Eyelet diameter 7 mm
 Power supply 24 V DC (15-28 V DC)
 Current consumption 50 mA

Definition: One current unit = $I = \frac{6 \text{ V}}{2.2 \text{ kohm}}$



Sensitivity setting through two potentiometers on the signal giver. Signal givers without potentiometers have sensitivity setting through a 0-6.5 V DC voltage from the central unit.

The movement of the yarn is best detected, if the yarn angle is 10-15° through the eyelet.

Output: The signal giver will send one current unit as output if one weft yarn is moving in an eyelet marked **1** or an eyelet marked **2**. If yarns are moving in both **1** and **2** eyelets or in any of the eyelets marked **1+2** the result on the output will be two current units.

This signal giver has two amplifiers and evaluation circuits. If the signal giver has potentiometers, there is one for each channel and the sensitivity can be adjusted separately for eyelets marked **1** and eyelets marked **2**.

To set the sensitivity, turn the potentiometer clockwise to the end position (maximum sensitivity). Let the machine run and turn the potentiometer slowly anti-clockwise until the weft stop motion stops the machine with the weft yarn present. Then turn the potentiometer approx 45° clockwise.

If there are still false stops, increase the setting by another 20°. Be sure that weft is running in eyelets marked **1** (or **1+2**) when you are making adjustment on potentiometer 1 and vice versa.

ELTEX
OF SWEDEN AB

Box 147 - S-343 00 Elmhult, Sweden
 Tel. 0476-124 80, Telex 52016 ELTEX S
 Telefax 0476-134 00 (G3/2)

ELTEX OF SWEDEN GMBH
 Richard-Wagner-Strasse 47
 D-4050 Mönchengladbach 1
 BRD
 Tel 02161-175 60
 Telex 852429 ELTEX D
 Fax 02161-20 60 09 (G3/2)

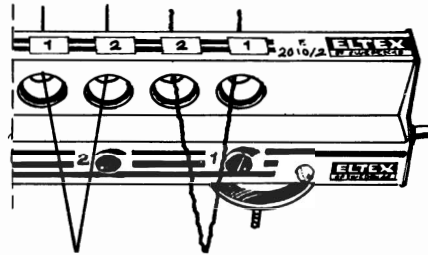
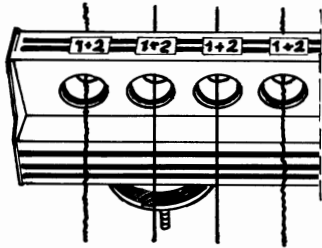
ELTEX OF SWEDEN AG
 Gundeldingerstrasse 474
 CH-4053 Basel
 Schweiz
 Tel 061-50 54 44
 Telex 963392 ELTEX CH
 Fax. 061-50 18 77 (G2)

ELTEX OF SWEDEN INC.
 P O. Box 868/Hwy 29 N
 Greer, S C 29651
 USA
 Tel. 803-879-2131
 Telex 570304 ELTEX OFS
 Fax. 803-879-3734 (G3/2)

ELTEX OF SWEDEN LTD
 Lane Close Mills
 Bartle Lane, Great Horton
 Bradford BD7 4QQ
 England
 Tel. 0274-57 10 71
 Telex 517258 HUDSON G
 Fax. 0274-50 12 09 (G3/2)

ELTEX MFG LTD
 Railway Road
 Templemore, Co. Tipperary
 Ireland
 Tel 504-314 33
 Telex 60871 OLLE EI
 Fax 504-310 02 (G3/2)





The E2010/2 signal giver has four eyelets at the left side marked **1+2**, which are intended for the detection of single weft insertions. When a yarn is moving in any of these eyelets, the result on the output will be two current units. If two yarns are moving, the result will still be two current units.

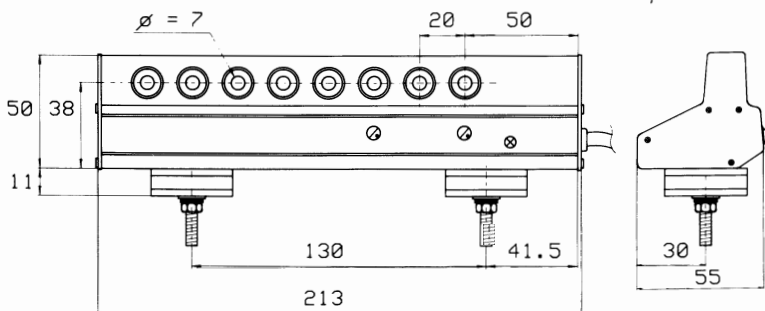
At the right side two eyelets are marked **1** and two eyelets are marked **2**. They are intended for double weft insertions. If a yarn is moving in any (or both) of the eyelets marked **1**, the result on the output will be one current unit. If a yarn is also moving in an eyelet marked **2**, another current unit will be added to the first one, and two current units appears at the output.

When weaving with single weft insertions, the central unit must be set to detect one current unit, and then any of the eight eyelets can be used.

When weaving with double or mixed single and double weft insertions the central unit must be set to detect two current units. Then the weft yarns must be selected as described above.

This signal giver is **not designed to detect if too many weft yarns are inserted** (no ANTI-function). If the central unit has an ANTI-switch, it must be in OFF position.

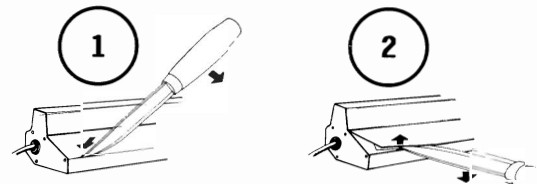
Measures (mm)



Connection

+ 24 V	1	Red	6	1
Signal	2	Grey	1	4
Gain	3	Blue	5	2
	4	Black	9	3

How to open lid



Types and article numbers

5 4 2 8 □

