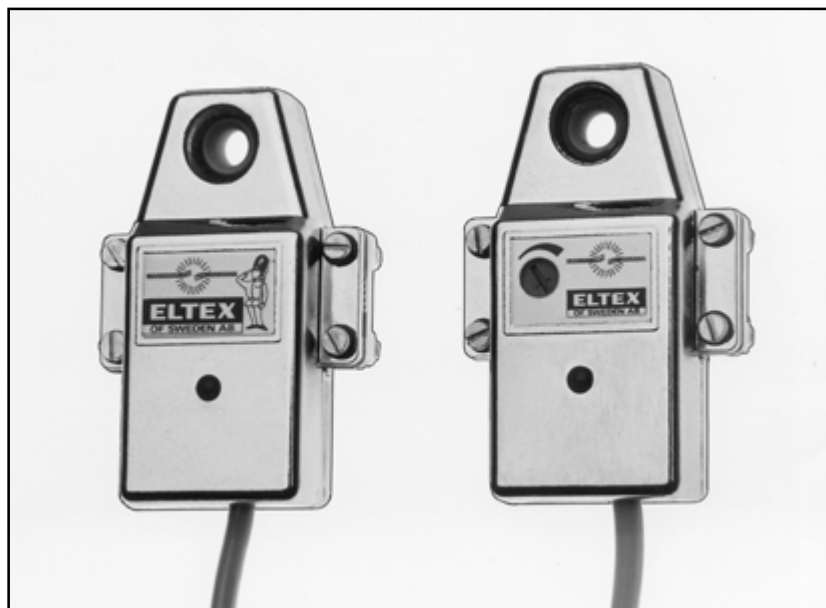


# **Eltex weft break sensor I 6470**

## **with logic current output**



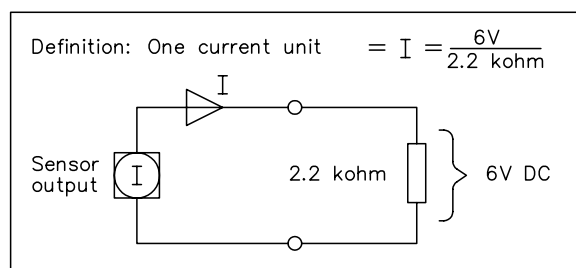
### **General description**

Designed for use mainly on weaving machines. The I 6470 weft break sensor is working on the piezoelectrical principle. The yarn movement is transferred into an electrical signal, which is amplified and evaluated within the sensor. The signal giver has a logic current output.

A green light emitting diode indicates when a yarn is moving.

### **Function and description**

Eyelet diameter	see table
Power supply	24 V DC (16–28 V DC)
Current consumption	max 30 mA



**Output:** The sensor will send one current unit as output, if a yarn is moving in the eyelet.

**Sensitivity setting** either through a DC voltage 0–6.5 V from the central control unit, or through a potentiometer on the sensor.

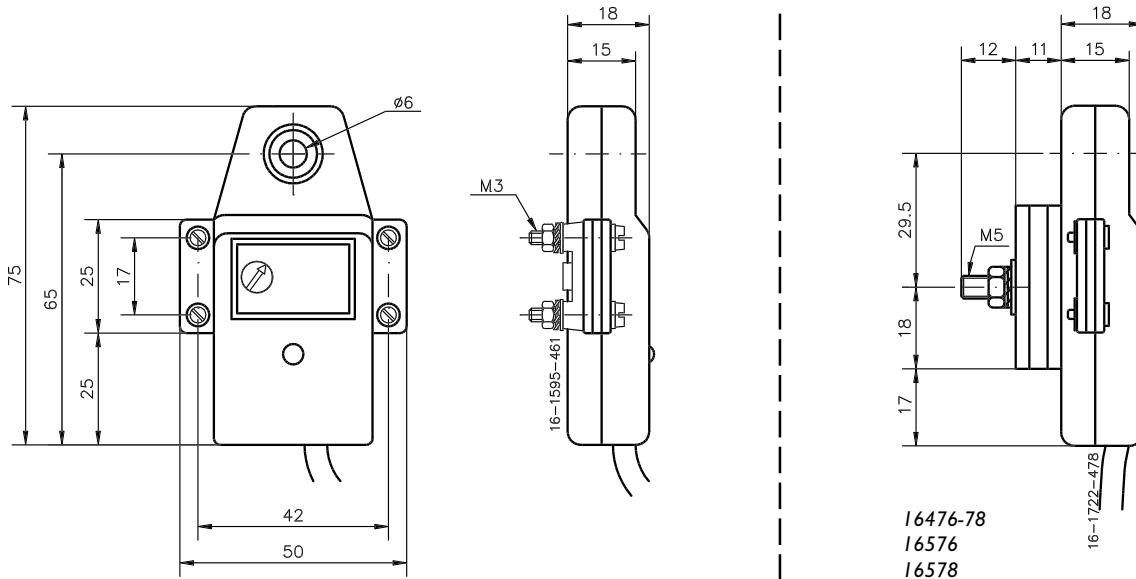
To set the sensitivity, turn the potentiometer clockwise to the end position (maximum sensitivity). Let the machine run and turn the potentiometer slowly anti-clockwise until the weft stop

motion stops the machine with the weft yarn present. Then turn the potentiometer approx. 45° clockwise. If there are still false stops, increase the setting by another 20°.

The weft (yarn) movement is best detected, if the weft (yarn) deflection is 10–15° through the eyelet.

For monitoring more wefts, it is possible to connect two or more sensors of this type in parallel to one central control unit.

## Dimensions (mm)



## Connection

Colour	Function
Red	Power supply: 24 V DC.
Grey	Output: one current unit when the yarn is moving.
Blue	Sensitivity (Gain): DC voltage supplied by the central control unit. 0 V for minimum sensitivity, 6.5 V for maximum sensitivity. The blue wire is not used, if the weft sensor has a gain potentiometer.
Black	Ground connection.

## Models

Art. no.	Eyelet	Cable	Potentiometer	Other characteristics
16470	Normal, Ø6 mm	0.75 m	No	
16471	Normal, Ø6 mm	0.50 m	No	The cover has no DC connection to ground.
16474	Interchangeable eyelet Ø6 mm	0.75 m	Yes	
16475	Normal, Ø6 mm	0.75 m	Yes	
16476	Normal, Ø6 mm	0.50 m	No	The cover has no DC connection to ground. 5-pole DIN male connector. Anti-vibration pad.
16477	Normal, Ø6 mm	5.50 m	No	The cover has no DC connection to ground. Anti-vibration pad.
16478	Normal, Ø6 mm	0.75 m	No	Anti-vibration pad.
16576	Ø9 mm	1.50 m	No	Anti-vibration pad.
16578	Ø9 mm	0.75 m	No	Anti-vibration pad.



Box 608 • SE-343 24 ELMHULT • Sweden • Tel. +46 476 488 00 • Fax +46 476 134 00  
E-mail: [info@eltex.se](mailto:info@eltex.se) • Web: [www.eltex.se](http://www.eltex.se)

ELTEX U.S. INC.  
P.O. Box 868  
Greer, S C 29652-0868  
USA  
Tel: 864-879-2131  
In U.S. toll free  
1-800-421-1156  
Fax: 864-879-3734  
Email: [sales@eltexus.com](mailto:sales@eltexus.com)

ELTEX MFG LTD  
Railway Road  
Templemore, Co. Tipperary  
Ireland  
Tel: 504-314 33  
Fax: 504-310 02  
Email: [info@eltex.ie](mailto:info@eltex.ie)

ELTEX OF SWEDEN GMBH  
c/o Frank Widmann e.K.  
Murgstrasse 13  
DE-76337 WALDBRONN  
Germany  
Tel: 07243-767268  
Fax: 07243-61216  
Email: [a.f.widmann@t-online.de](mailto:a.f.widmann@t-online.de)

POLSA-ELTEX S.L.  
Zamora, 103 - entlo 3  
ES-08018 Barcelona  
Spain  
Tel: 093-309 00 17  
Fax: 093-309 59 45  
Email: [polsa@infonegocio.com](mailto:polsa@infonegocio.com)