

Mini-SMG

Multithread Sensor



General Description

The ELTEX Mini-SMG yarn sensor – in combination with indication boxes and the ELTEX QTV central control unit – is a complete yarn stop motion system for multithread applications. Typical use is on warping creels, creels for winders, and on yarn preparation machines.

Features

- Detection is made by a piezoelectrical element sensing the movement of the yarn.
- The distance between the eyelets is 15 mm, which makes it easy to retrofit on existing creels.
- The Mini-SMG is self-learning; when the yarn has moved once, the system will remember which yarns are supposed to move and will display the number of moving yarns on the operators' panel.
- ANTI-detection; if too many yarns move, the unit will generate stop output signal.
- Indication of broken yarns or “Anti” yarns will be displayed on the Mini-SMG yarn sensor, on the indication box and on the QTV central control unit/operators' panel.
- Parameters like yarn sensitivity and scanning speed are set from the QTV central control unit.

The yarn sensors are available in 8, 10 or 12 eyelet versions. They can be fitted alone or stacked together to form an extended unit. They can be fitted at the front or along the creel. Fitting along the creel has the advantage of replacing some of the guide eyelets, and more importantly, that a yarn break is detected earlier.

Advantages

- Senses the yarn movement.
- Accepts all yarn qualities.
- Self learning.
- ANTI-check.
- Fast stopping time.
- Insensitive to dirt.
- Easy to set and handle.
- Minimum of maintenance.
- Possible to stack.

Applications

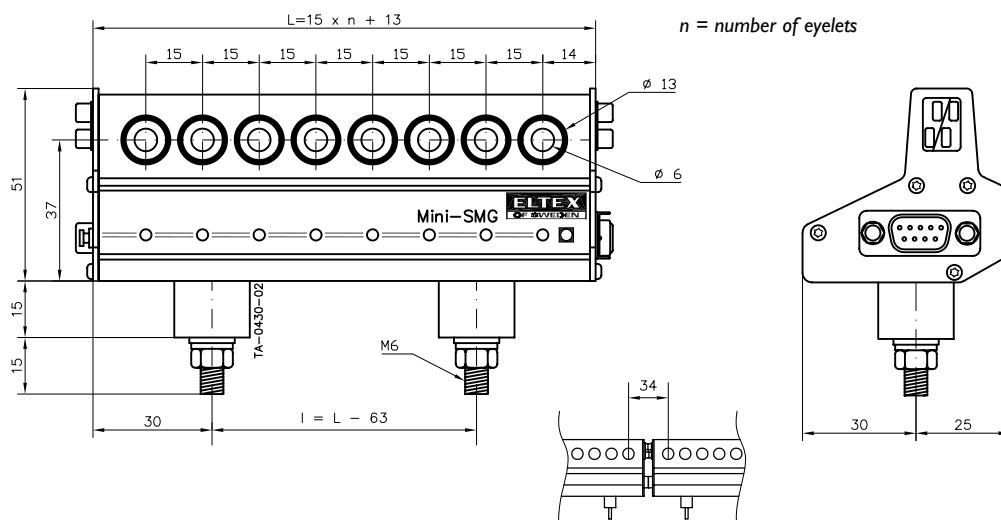
- Warping creels.
- Creels for winders.
- Yarn preparation machines.
- Cable machines.
- General multithread applications.

Technical features

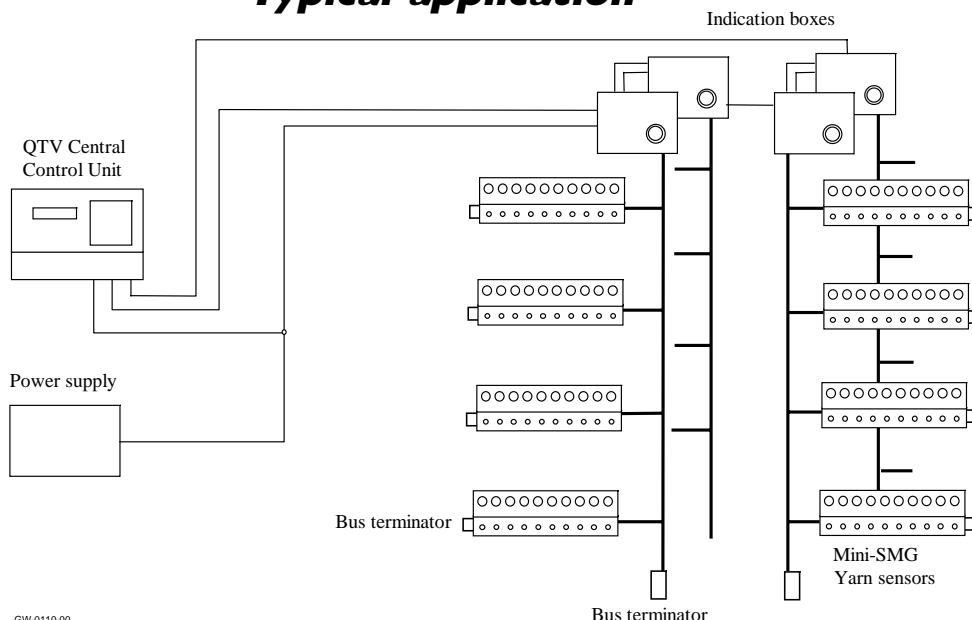
The Mini-SMG yarn sensors are connected in parallel by a 9-conductor flat cable.
The QTV central control unit can handle two branches; distinguish the two sides of a creel.
Depending on the power supply the system can handle up to 2000 yarns.

Ceramic eyelet	Diameter 6 mm
Eyelet spacing	15 mm
Scanning speed	Typical 2 ms/eyelet (adjustable)
Stopping time	Typical 70 ms (adjustable)
Minimum yarn speed	Approx. 30 m/min
Current consumption	65 mA/yarn sensor
Power supply	20–30 V DC filtered
Bus connection	9-pole D-sub connector

Dimensions, mm



Typical application



GW-0110-00



Box 608 • SE-343 24 ELMHULT • Sweden • Tel. +46 476 488 00 • Fax +46 476 134 00
E-mail: info@eltex.se • Web: www.eltex.se

ELTEX U.S. INC.
P.O. Box 868
Greer, S C 29652-0868
USA
Tel: 864-879-2131
In U.S. toll free
1-800-421-1156
Fax: 864-879-3734
Email: sales@eltexus.com

ELTEX MFG LTD
Railway Road
Templemore, Co. Tipperary
Ireland
Tel: 504-314 33
Fax: 504-310 02
Email: info@eltex.ie

ELTEX OF SWEDEN GMBH
c/o Frank Widmann e.K.
Murgstrasse 13
DE-76337 WALDBRONN
Germany
Tel: 07243-767268
Fax: 07243-61216
Email: a.f.widmann@t-online.de

POLSA-ELTEX S.L.
Zamora, 103 - entlo 3
ES-08018 Barcelona
Spain
Tel: 093-309 00 17
Fax: 093-309 59 45
Email: polsa@infonegocio.com