

Eltex weft sensor G³w

with current logic output



The G³w weft break sensor operates on the piezoelectric principle. The yarn movement is transferred into an electric signal, which is amplified and evaluated within the sensor. The weft sensor has a current logic output and is manufactured with 4 or 8 eyelets.

A green light emitting diode indicates when a yarn is moving.

The G³w weft sensor will detect single and double weft insertions, and also detect if too many wefts are inserted.

■ Features

- Low, rounded housing.
- Short distance between pivot point and eyelet.
- High sensitivity to weft yarn movements.
- High immunity to compressed air and electrical interference.
- Allows a large yarn angle through the eyelets without touching the aluminium housing.
- Piezoelectric sensor with proven reliability.

■ Available on special models

CAN bus interface, which allows:

- Individual setting for each eyelet for optimised sensing performance.
- Possibility of statistics.
- Automatic gain setting.

■ Technical specification

Eyelet diameter	6.4 mm
Power supply	24 V DC \pm 25%
Current consumption	< 125 mA
Connection	DB9 male
Gain/sensitivity setting	0–6.5 VDC external
Current logic signal	
no weft yarn moving	< 0.1 mA
1 weft yarn moving	2.73 mA \pm 8%
2 weft yarns moving	5.46 mA \pm 8%
3 or more weft yarns moving	8.19 mA \pm 8%

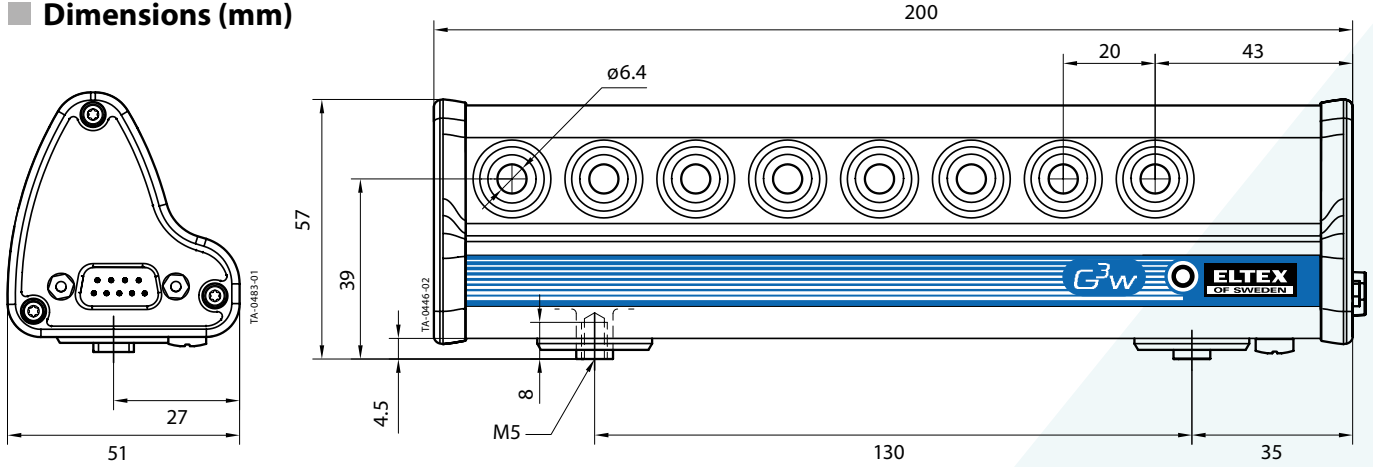
The movement of the weft yarn is best detected if the yarn angle is 10–15° through the eyelet.

■ Replacement of previous sensors


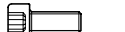



The G³w weft sensor can replace E2016, E2060 and E2071 weft sensors. E2070, without gain potentiometer and used only for either single or double weft insertion, can also be replaced by the G³w. Eltex can supply adapter connectors and adapter cables. Please mention the part number to replace.



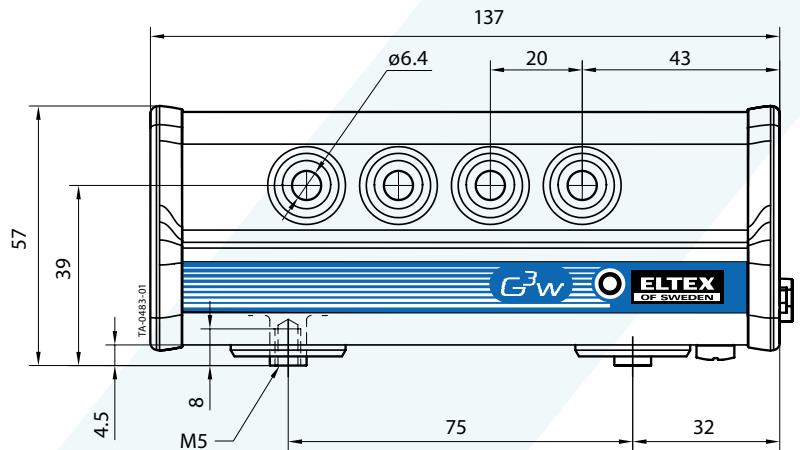
■ Dimensions (mm)



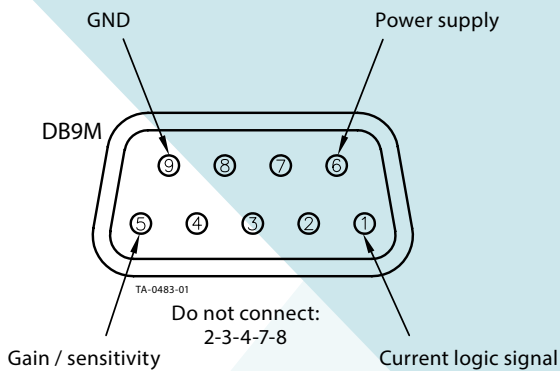
Fitting details included

-  2x screw DIN 912 5x22
-  2x screw DIN 912 5x12
-  2x spacing tube 10 mm
-  2x plain washer BRB 5.3x12x1
-  2x tooth lock washer AZ 5.3

TA-0483-02



■ Connection



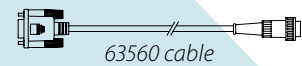
■ Weft sensors

Part no	Eyelets	Dropout time, ms	Notes
58520	4	5	
58523	4	0.4	
58525	4	1.2	
58540	8	5	
58543	8	0.4	
58545	8	1.2	
16856	8	1.2	For wet and carbon yarns
16857	8	2.4	For thin yarns, with Anti-2 stop indication
16858	8	2.0	For thin yarns

Declaration of conformity according to the EMC Directive
The Eltex weft sensor G³w conforms to the standards
EN 61000-6-4 (2001) and EN 61000-6-2 (2001)

■ Weft sensor kits

Part no	Content
300	58543 + 63560
305	58523 + 63560
320	58545 + 63562
321	58540 + 63562
325	58525 + 63562



ELTEX
OF SWEDEN

Box 24, SE-283 21 OSBY, Sweden | Tel: +46 479 536300 | Email: info@eltex.se | www.eltex.se

Eltex U.S., Inc.
13031 E. Wade Hampton Blvd.,
GREER, South Carolina, 29651, USA
Tel: +1 864-879-2131
Email: sales@eltexus.com

Eltex Manufacturing Ltd.
Railway Road,
TEMPLEMORE, Co. Tipperary, Ireland
E41HX65
Tel: +353 504-314 33
Email: info@eltex.ie

POLSA-ELTEX, S.L.
Zamora, 103 – entlo 3o,
ES-08018 BARCELONA, Spain
Tel: +34 93 309 00 17
Email: polsa@infonegocio.com

Eltex China, Beijing Tianyuri Electronic Technology Co., Ltd.
Floor 8, YouTown Centre Block A, Sanfeng Beili No.1,
Chaoyang, Beijing, China 100020
Tel: +86 (10) 65800142
Email: chuan.jiang@eltex.cn Web: www.eltex.cn