



# Eltex Yarn Expert

## Yarn Break Detection System

INFO LEAFLET

The Eltex EYE is a flexible system designed for yarn break detection on textile machines. It is designed to improve product quality and machine efficiency.

- Fast stop for yarn break
- Fast learning of positions in use
- Events are logged in real time for statistics and diagnostics
- I/O for one to six independent machines
- Simple installation, service friendly, self diagnostic
- Modern, smart and proven bus system
- Networkable



### Operator Terminal

The touch screen operator terminal has a very user-friendly interface. Information about amount of yarns in operation and positions of yarn faults is clearly displayed. Style changes are quickly made by the press off the learn button.



### Master control unit

The master control unit is communicating with the sensors and the operator terminal. It is processing all the data and makes stop and lamp indication signals in case of a yarn fault.

All components of the system are wired together with our smart and proven bus systems.



### Yarn break sensors

The sensors use the well proven piezoelectric principle. They are robust and can work with a wide range of yarns and are not influenced by dust, dirt, humidity or ambient light.

The sensors are available with 1, 8, 10 or 12 eyelets.

### Further advantages

- The stop position is shown both on the terminal and on the sensor
- Ability to show user defined yarn position ID at yarn fault
- The stop function can be set for immediate stop or for a stop after a certain number of yarns are missing.
- Sensor parameters can be set for different groups of yarn and can also automatically change depending on machine speed

- Automatic addressing of all the system parts
- Easy to change system configuration
- Simple connections with modular connectors
- Robust sensors in metal housings
- CAN Bus, Ethernet or Modbus (available for OEM interface)
- Software updates can be quickly and easily installed

### Applications

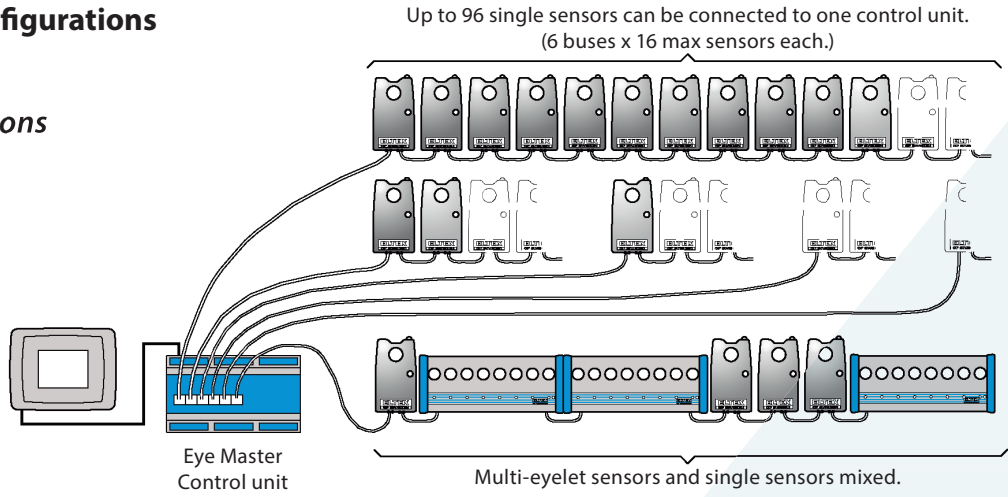
- Warping creels
- Winding machines
- Multiaxial warp knitting machines
- Heat set creels/winders
- Air entanglement machines
- Yarn preparation machines
- Cable machines
- General multithread applications

**ELTEX**  
OF SWEDEN

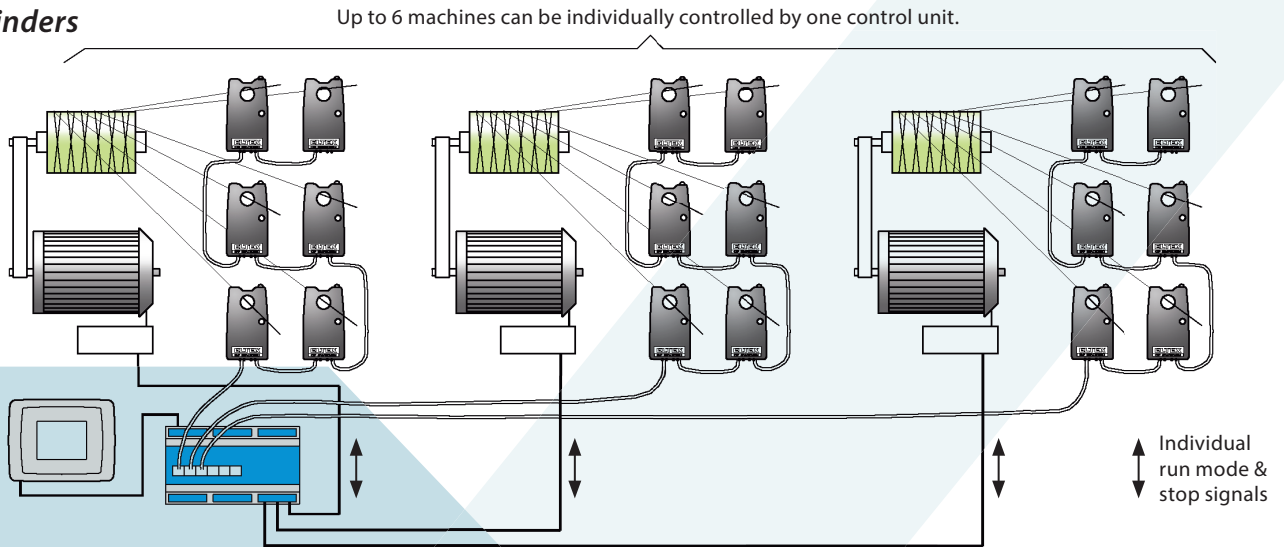


## Different EYE Configurations

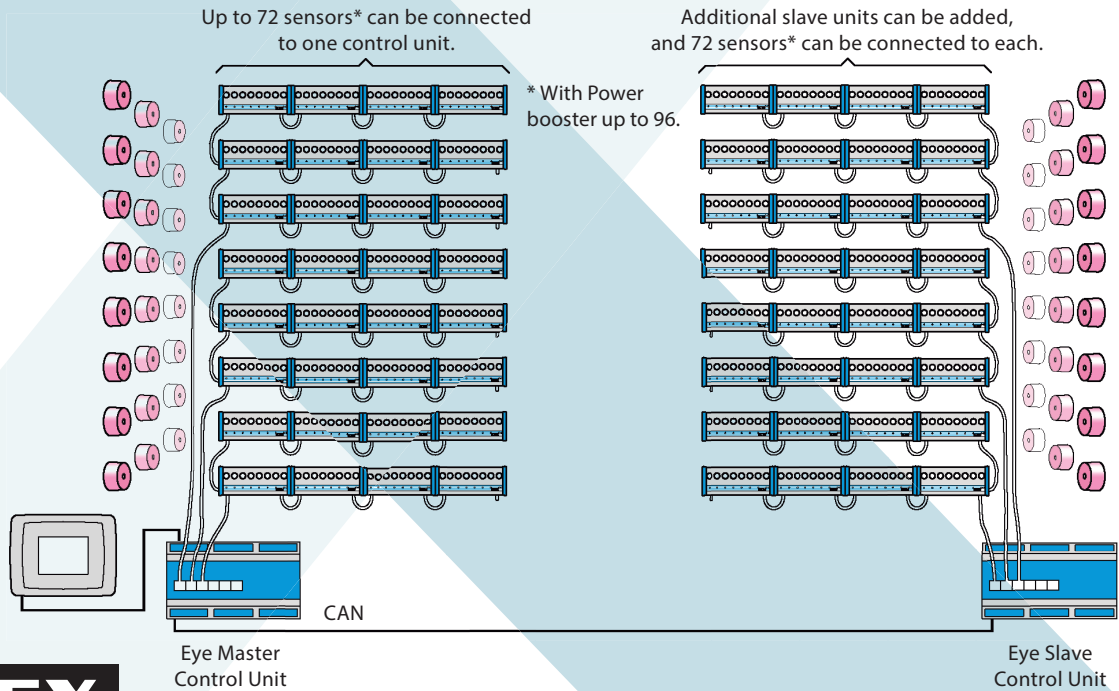
### General Applications



### Winders



### Creels



Södra Portgatan 19, SE-283 50 OSBY, Sweden | Tel: +46 479 536300 | Email: info@eltex.se | www.eltex.se

**Eltex U.S., Inc.**  
13031 E. Wade Hampton Blvd.,  
GREER, South Carolina, 29651, USA  
Tel: +1 864-879-2131  
Email: sales@eltexus.com

**Eltex Manufacturing Ltd.**  
Railway Road,  
TEMPLEMORE, Co. Tipperary, Ireland  
E41HX65  
Tel: +353 504-314 33

**POLSA-ELTEX, S.L.**  
Zamora, 103 – entlo 3o,  
ES-08018 BARCELONA, Spain  
Tel: +34 93 309 00 17  
Email: polsa@infonegocio.com

**Eltex China (Beijing) Trading Ltd.**  
HongkunYun Times B4 207,  
Yizhuang Kechuang 12th street,  
Daxing, Beijing, China  
Tel: +86 10 6506 6468  
Email: chuan.jiang@eltex.cn  
Web: www.eltex.cn