

Eltex Tension Monitor, ETM Solo

INFO LEAFLET

The Eltex ETM Solo is an on-line device designed for continuous monitoring of the yarn tension on textile machines.

ETM Solo has Yarn movement signal output (Specific models). A separate Yarn Break Sensor is then not needed.

The ETM Solo communicates via a digital bus system or an analog output.

The yarn tension is measured as a force on the sensing element. The yarn angle across the element is predetermined by two ceramic guide bars. The necessary deviation is kept as small as possible. The yarn guides allow the yarn to enter and leave the unit at any angle.

Fast sensor response enables monitoring of rapid changes in yarn tension. This allows it to be used, for instance, as a sensor for automatic control of yarn brakes.



■ Features

- Monitors the yarn tension continuously
- The yarn can enter and leave the sensor at any angle
- Robust design
- Replaceable guide eyelets
- LED for status indication
- Models with Yarn movement signal available

■ Advantages

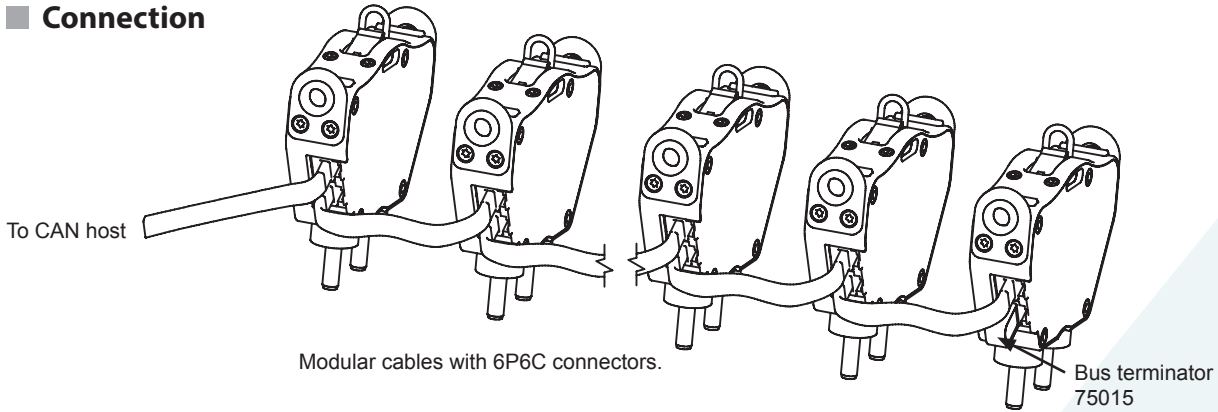
- Improves production efficiency
- Improves production quality
- Simplifies setting of the yarn brakes
- Allows repeated style changes more efficiently and accurately
- Overload protection downwards and upwards
- Easy wiring with common cables/connectors

■ Application examples

- Weaving, warping, winding machines
- Sensor for brake control



■ Connection



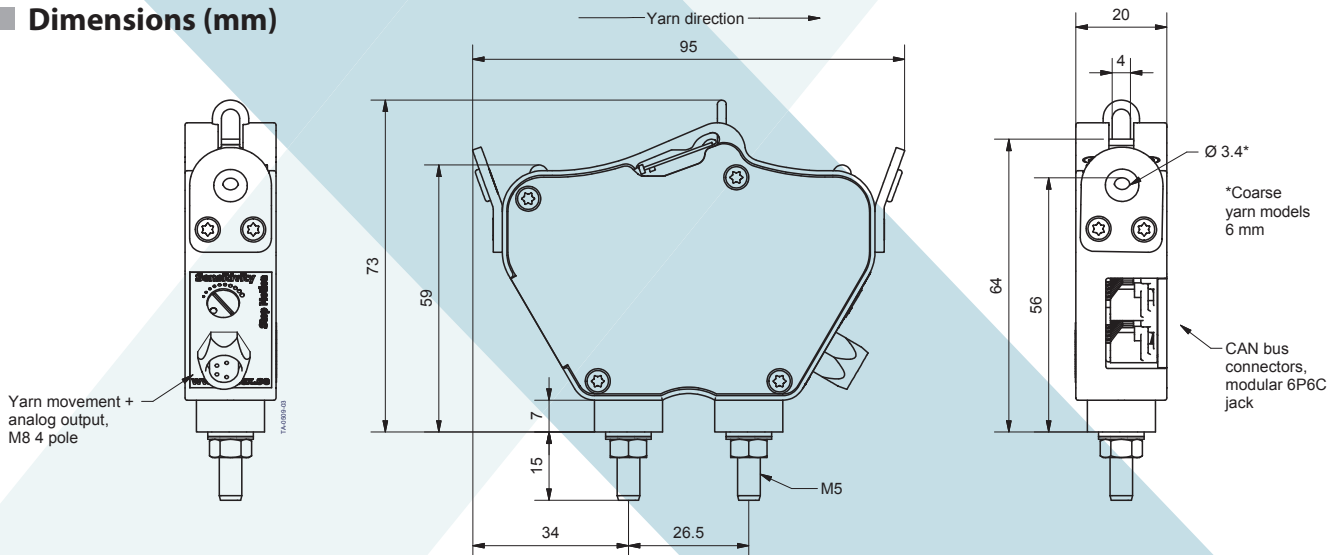
■ Technical features

Supply voltage	10–26 V DC	Ambient working temperature	+10–40°C
Maximum current consumption	80 mA	Communication	digital via CAN bus and analog 0–5 V DC
Yarn tension range	0–1000 cN	Bus connection	maximum 16 sensors on each bus
Resolution	< 1 cN	Dimensions	95 x 73 x 20 mm + screws
Accuracy	±1.8% of full range	Yarn movement signal output	Open collector NC. Maximum 50 mA
Band width	1 kHz		

■ Models

Eltex part no	Tension range	CAN	Analog output	Other characteristics
56004	1000 cN	500 kbit/s	M8 connector	
56005	1000 cN	1 Mbit/s	M8 connector	Yarn movement signal output
56006	1000 cN	1 Mbit/s	-	
56008	1000 cN	500 kbit/s	M8 connector	Yarn movement signal output
56074	2500 cN	500 kbit/s	M8 connector	Coarse yarn models
56075	2500 cN	1 Mbit/s	M8 connector	Coarse yarn models
56077	2500 cN	1 Mbit/s	M8 connector	Yarn movement signal output. Coarse yarn model
56078	2500 cN	500 kbit/s	M8 connector	Yarn movement signal output. Coarse yarn model
56079	2500 cN	1 Mbit/s	-	

■ Dimensions (mm)



ELTEX
OF SWEDEN

Södra Portgatan 19, SE-283 50 OSBY, Sweden | Tel: +46 479 536300 | Email: info@eltex.se | www.eltex.se

Patents: SE517300, Europe 1005435
Declaration of Conformity according to the EMC Directive 2004/108/EC
We reserve the right to modify the design without notice.

Eltex U.S., Inc.
13031 E. Wade Hampton Blvd.,
GREER, South Carolina, 29651, USA
Tel: +1 864-879-2131
Email: sales@eltexus.com

Eltex Manufacturing Ltd.
Railway Road,
TEMPLEMORE, Co. Tipperary, Ireland
E41HX65
Tel: +353 504-314 33

POLSA-ELTEX, S.L.
Zamora, 103 – entlo 3o,
ES-08018 BARCELONA, Spain
Tel: +34 93 309 00 17
Email: polsa@infonegocio.com

Eltex China (Beijing) Trading Ltd.
HongkunYun Times B4 207,
Yizhuang Kechuang 12th street,
Daxing, Beijing, China
Tel: +86 10 6506 6468
Email: chuan.jiang@eltex.cn
Web: www.eltex.cn