

# ***Eltex weft sensor 16574***

## ***with current logic output***



### ***General description***

Designed for use on weaving machines. The 16574 weft sensor is working on the piezo-electrical principle. The yarn movement is transferred into an electrical signal, which is amplified and evaluated within the sensor. The piezo electrical principle is well proven since a long time. It is known for its high performance in textile industry environments, specially not being affected by dust. Sensors using this technique are also insensitive to variations in temperature, humidity and ambient light.

The weft sensor has a current logic output.

A green light emitting diode indicates when a yarn is moving.

The 9 mm eyelet is specially designed to be used with a wide range of yarn counts, including carpet yarns. The sensitivity is set with an external DC signal according to the yarns used.

The anti-vibration pad makes the sensor flexible and easy to mount.

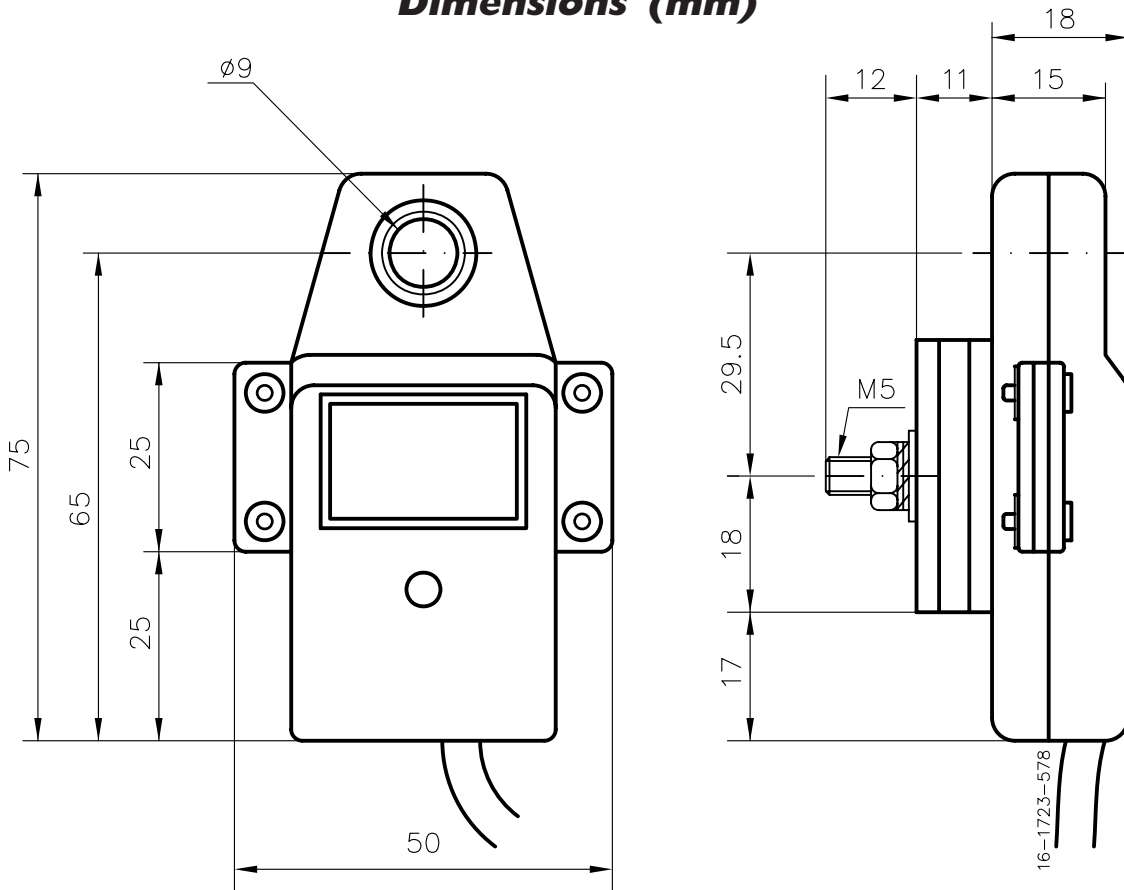
### ***Technical data and function***

Eyelet diameter	9 mm
Power supply	24 V DC (16–28 V DC)
Current consumption	max 30 mA
Connection	2 m cable with 4 pole Metalok Bantam connector
Gain/sensitivity setting	0–6.5 V DC external
Current logic signal	
no weft yarn moving	< 0.1 mA
weft yarn moving	2.73 mA

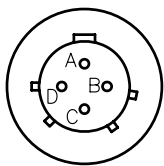
The weft yarn movement is best detected if the yarn angle is 10–15° through the eyelet.

For monitoring more wefts, it is possible to connect two or more sensors of this type in parallel to one control unit.

## Dimensions (mm)



## Connection



Bantam connector pin	(Cable colour)	Function
A	(Black)	Ground connection.
B	(Grey)	Output: 2.73 mA when the yarn is moving.
C	(Blue)	Sensitivity (Gain): DC voltage supplied by the control unit. 0 V for minimum sensitivity. 6.5 V for maximum sensitivity.
D	(Red)	Power supply: 24 V DC.



Box 24 • SE-283 21 OSBY • Sweden • Tel. +46 479 53 63 00 • Fax +46 479 53 63 99  
E-mail: [info@eltex.se](mailto:info@eltex.se) • Web: [www.eltex.se](http://www.eltex.se)

ELTEX U.S. INC.  
13031 E. Wade Hampton Blvd  
Greer, SC 29651  
USA  
Tel: 864-879-2131  
In U.S. toll free: 1-800-421-1156  
Fax: 864-879-3734  
Email: [sales@eltexus.com](mailto:sales@eltexus.com)

ELTEX MFG LTD  
Railway Road  
Templemore, Co. Tipperary  
Ireland  
Tel: 504-314 33  
Fax: 504-310 02  
Email: [info@eltex.ie](mailto:info@eltex.ie)

POLSA-ELTEX S.L.  
Zamora, 103 - entlo 3  
ES-08018 Barcelona  
Spain  
Tel: 093-309 00 17  
Fax: 093-309 59 45  
Email: [polsa@infonegocio.com](mailto:polsa@infonegocio.com)