

Eltex Tension Monitor

Sewing Machine Model, RS422 interfaced
with miniature head



The Eltex Electronic Tension Monitor (ETM) is an on-line device for sewing machines and similar applications. The device monitors the thread tension and also acts as a thread break detector. It enables the operator to keep the thread tension within the desired tension range for best operation and quality of the seam.

The ETM422 communicates through an RS422 interface to a host computer. This allows the user to set limits and to watch alarms and readings on the computer display.

The sensing head on this model has a very low profile.
See drawing on page 2

■ Advantages

- Improves sewing quality.
- Allows you to operate with the correct thread tension.
- Acts as a thread stop motion / thread break detector.
- Protects against overtension.
- Alerts the operator to dirt and dust in the thread tensioners.
- Makes it easier for the operator to set the correct bobbin tension.

■ Features

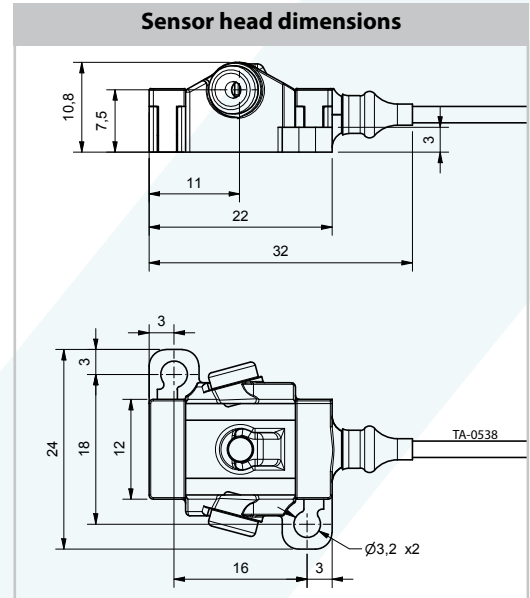
- Monitors thread tension according to limits set by the software through RS422 interface.
- Programmable measuring ranges.
- Programmable RS422 message with peak tension and monitor status for every stitch.
- Programmable stop filter function.
- Generates stop pulse when thread tension is outside the selected Stop Limits.
- Separate sensor head and electronics enables fitting in tight areas.
- LED indication of monitored limits and synchronization input.
- Alarm message possible through RS422 line and separate optocoupler output.
- Factory calibrated – no manual reset.
- ESD protected inputs and outputs (optocoupler).



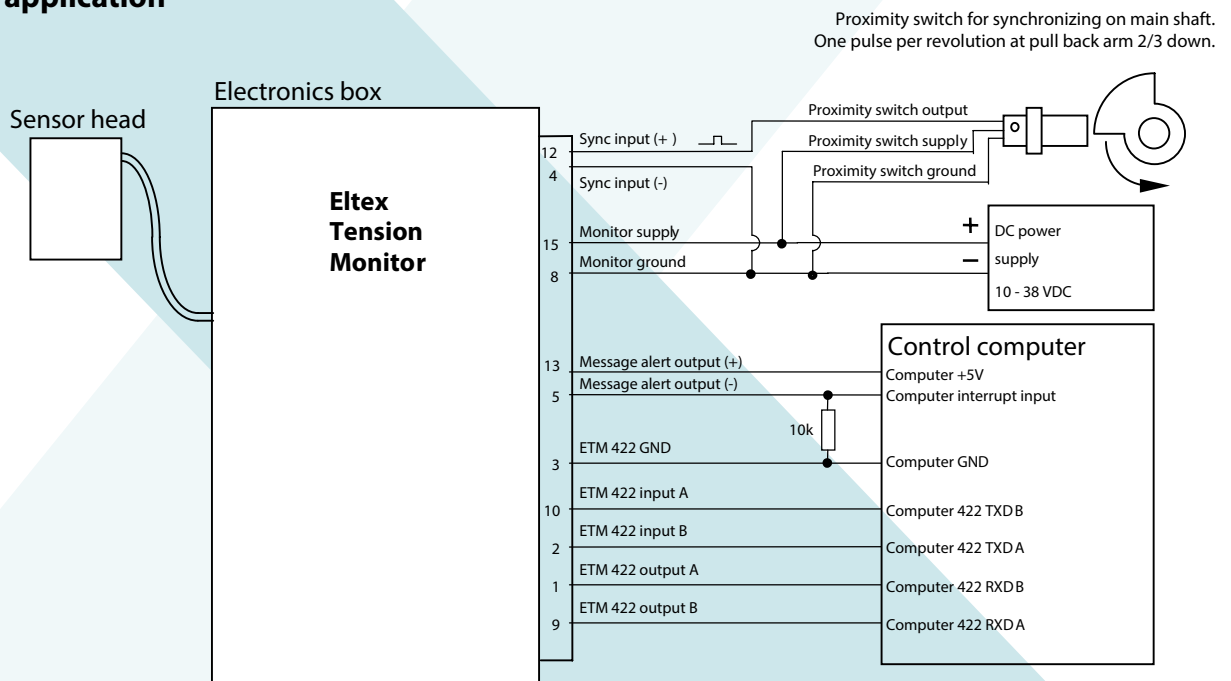
■ Technical features

Cable length between sensor head end electronics box	Part No 14630 0,5 m, Part No 14631 0,1 m
Measuring range adjusted within:	0–1200cN
Available measuring ranges:	0–128cN, 0–256cN, 0–384cN, 0–512cN, 0–640cN, 0–768cN, 0–896cN, 0–1024cN, 0–1152cN, 0–1280cN, (0–1408cN, 0–1536cN)
Stop filter:	1–15 stitches
RS422 parameters:	9600 baud, 1 start bit, 8 data bits, 1 stop bit, 1 parity bit, even parity
Supply voltage	10–38 V DC
Maximum current consumption	50 mA
Maximum start peak current	500 mA (*Note 1)
Speed range	120–10 000 RPM
Message alert pulse length	Minimum 2 seconds
Electronic box dimensions	100 x 61 x 25 mm (width x height x depth)
Sensor head dimensions	See drawing
Message alert output	Optocoupler TLP127, max. 100 mA
Synchronisation input	Optocoupler TLP112, Rin 1.5 k Ω , Vin 5–35 Vdc
Working ambient temperature range	15–45°C (60–110°F)
Working ambient humidity range	0–95% RH (at 45°C) no condensation

*Note 1: At supply voltage 38 Vdc and power supply start-up time = 30 ms.



■ Typical application



GW-0153-01



Box 24, SE-283 21 OSBY, Sweden | Tel: +46 479 536300 | Email: info@eltex.se | www.eltex.se

Eltex U.S., Inc.
13031 E. Wade Hampton Blvd.,
GREER, South Carolina, 29651, USA
Tel: +1 864-879-2131
Email: sales@eltexus.com

Eltex Manufacturing Ltd.
Railway Road,
TEMPLEMORE, Co. Tipperary, Ireland
E41HX65
Tel: +353 504-314 33
Email: info@eltex.ie

POLSA-ELTEX, S.L.
Zamora, 103 – entlo 3o,
ES-08018 BARCELONA, Spain
Tel: +34 93 309 00 17
Email: polsa@infonegocio.com

Eltex China, Beijing Tianyuri Electronic Technology Co., Ltd.
Floor 8, YouTown Centre Block A, Sanfeng Beili No.1,
Chaoyang, Beijing, China 100020
Tel: +86 (10) 65800142
Email: chuan.jiang@eltex.cn Web: www.eltex.cn